

# Disposition: Resolved

## OMG Issue No: 16628

### Title: DiagramElements cannot represent multiple model Elements

**Source:** Northrop Grumman (Mr. Christopher McClure, christopher.mcclure(at)ngc.com)

#### Summary:

The definition of DiagramElement has an association to the depicted MOF Element with a multiplicity of [0..1]; so, one DiagramElement can represent at most one model Element. However, UML contains at least one notation in which a single symbol represents more than one Element: using a single State symbol to represent multiple similar States (see p.601 of the UML 2.4 Superstructure Specification). Will DD be able to support this notation?

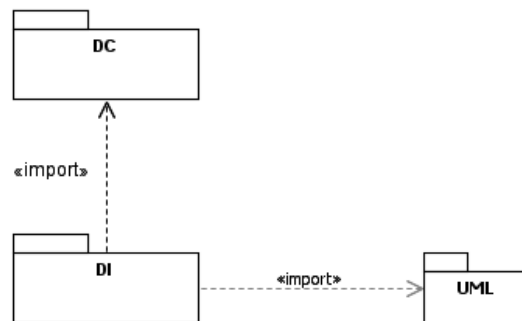
#### Resolution:

Loosen multiplicity of DiagramElement::/modelElement property to \*. Also resolves 16907 by using UML::Element instead of CMOF::Element in the Diagram Interchange metamodel.

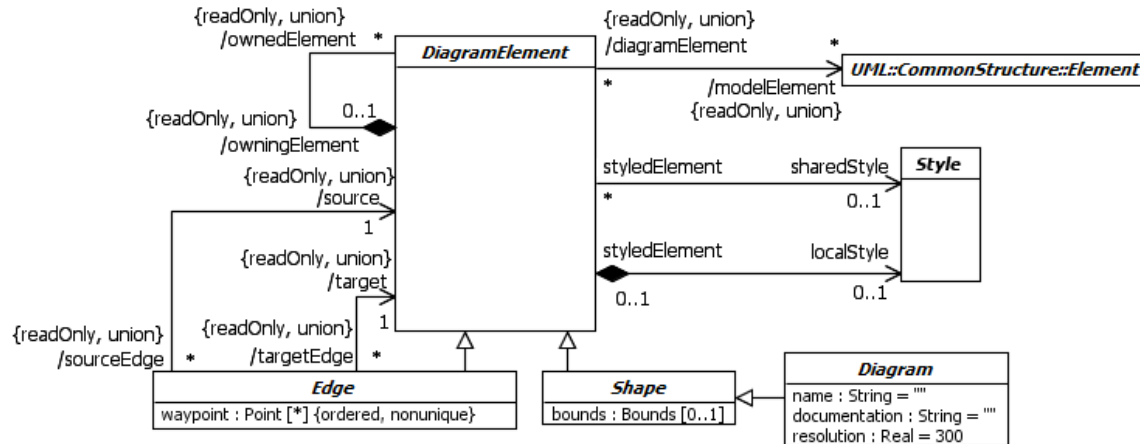
#### Revised Text:

In Subclause 9.1 (Overview), second sentence, replace “CMOF” with “UML”.

In Figure 9.1 (Dependencies of the DI package), replace “MOF” with “UML”. The resulting graphic is:



In Figure 9.2 (Diagram Element) change the multiplicity of /modelElement to \*, and replace CMOF::Element with UML::CommonStructure::Element. The resulting graphic is:



In Clause 9.3.1 (Diagram [Class]), under Description, third paragraph (the one starting “As a kind of diagram element”),

Replace “a model element” with “model elements”.

Replace “that element” with “those elements”.

In Clause 9.3.2 (DiagramElement [Abstract Class])

Under Description, first paragraph,

First sentence, replace “another MOF-based element” with “other MOF-based elements”.

Second sentence, replace “the depicted model element” with “the depicted model elements”, and “that element” with “those elements”.

Last sentence, replace “model element” with “model elements”.

Under Association Ends, bullet for /modelElement

Replace “[0..1]” with “[\*]”.

Replace ~~“a reference”~~ with ~~“references”~~ and ~~“a depicted model element”~~ with ~~“depicted model elements”~~.

In Annex A (UML Class Diagram Definition Example), Subannex A.1 (UML DI), in the second paragraph after the bullet list (the one beginning “Note –”),

Replace the portion starting after “Note –” and ending “CMOF::Element is” with “When DI is used for metamodels other than UML's, the modelElement property can be redefined even though the metaclasses are not explicit subclasses of UML::Element. This is”.

**Disposition: Resolved**

## **Disposition: Merge/Duplicate**

**OMG Issue No: 16907**

**Title: CMOF Version**

**Source:** Microsoft (Mr. Steve Cook, stcook(at)microsoft.com)

**Summary:**

DD should use the latest formal version of CMOF.

**Resolution:**

See resolution of 16628.

**Disposition: Merge/Duplicate**

## **Disposition: Duplicate/Merged**

### **OMG Issue No: 16991**

**Title: Multiple modelElements per diagram element**

**Source:** Conrad Bock (Mr. Conrad Bock, conrad.bock(at)nist.gov)

**Summary:**

Diagram elements might have multiple modelElements (for example, state lists in UML state machines, combined merge/decision diamonds in UML activities). Languages can specialize to 1 or order as needed.

**Resolution:**

This duplicates 16628.

**Disposition: Duplicate/Merged**

# Disposition: Resolved

## OMG Issue No: 17453

### Title: Use MOF Primitive Types

**Source:** NASA (Dr. Nicolas F. Rouquette, nicolas.f.rouquette(at)jpl.nasa.gov)

### Summary:

Diagram Common should reuse MOF Primitive Types

### Resolution:

Remove DD primitive types and import UML PrimitiveTypes into DC.

### Revised Text:

In Subclause 8.1 (Overview), first paragraph,

First sentence, replace “contains a number of common primitive types as well as” with “imports MOF’s Primitive Types library, as shown in Figure 8.1, and defines”.

Remove last sentence.

In Subclause 8.2 (Abstract Syntax), Figure 8.1 (The primitive types)

Change the caption to “Dependencies of the DC package”.

Replace the graphic with the following:



Remove Subclauses 8.3.2 (Boolean), 8.3.6 (Integer), 8.3.9 (Real), 8.3.10 (String) and renumber the others accordingly.

**Disposition:** Resolved

## **Disposition: Resolved**

### **OMG Issue No: 18954**

**Title: DD 1.0 defines DI, DC, DG as Models**

**Source:** Microsoft (Mr. Steve Cook, stcook(at)microsoft.com)

**Summary:**

DD 1.0 defines DI, DC, DG as Models which is not in the CMOF subset for MOF 2.4.1.

**Resolution:**

This is a change to the DD XMI to replace Models with Packages. There is no change to the primary specification.

**Disposition: Resolved**